

SWIRL FLOW METER

SIL



DESCRIPTION

The swirl flow meter has a combined function of flow capacity, temperature, pressure measuring.

APPLICATIONS

- Natural gas measurement
- Mashgas measurement
- Oil and gas plant
- Biochemical pool

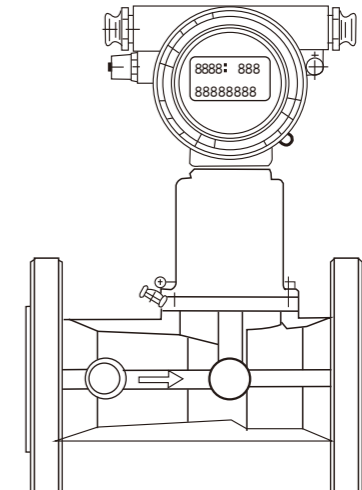
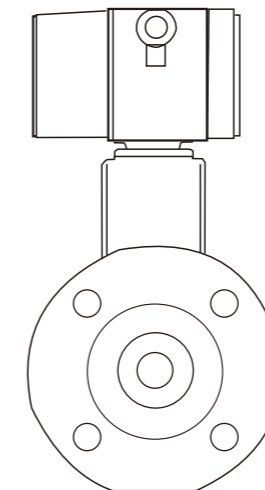
FEATURES

- No mechanical moving parts with longer life-time
- Requires no special maintenance even after long-time operation
- Dual detect technique to effectively increase detecting signal intensity and reduce obstruction caused by pipeline vibration
- Vibration-proof techniques to effectively suppress vibration and undesired signal caused by pressure oscillation
- Gauge head of the flow meter can rotate by 360 degree
- Low flow starting point
- Oxygen and compressed air measurement

TECHNICAL DATA

Accuracy	±1.5% of rate; ±1.0% of rate
Ambient Temp.	- 30...+65°C
Fluid Temp.	- 20...+80°C
Power Supply	24V DC±15%; 3.6V Lithium Battery
Power Consumption	External: <2W
Relative Humidity	5%- 95%
Output	4-20mA; Pulse; RS485
Connection	Flange; thread
Protection	IP65

TECHNICAL DRAWINGS



MODEL SELECTION

Model	Suffix Code							Description
LUX-	①	②	③	④	⑤	⑥	⑦	Swirl Flow Meter
Fluid	G							Gas / Air
Diameter	XXX							Stand for diameter 020: DN20; 050: DN50 100: DN100; 300: DN300
Structure		S						Compact type
Converter Type			B					Battery power supply; No output; Ex; Digital display Temperature & Pressure Compensation
			U					24V DC; 2/ 3 wires 4-20mA output; RS485; Digital display Temperature & Pressure Compensation
			H					24V DC; 3-wire 4-20mA output; Hart; Digital display Temperature & Pressure Compensation
Body Material				S4				SS304
				S6				SS316
				CA				Cast Aluminum
Explosion Proof						BT		ExdIIBT6
						NA		No explosion proof
Connection							DXX	D16: DIN PN16 Flange; D25: DIN PN25 Flange...
							AXX	A15: ANSI 150# Flange; A30: ANSI 300# Flange...
							JXX	J10: JIS 10K Flange; J20: JIS 20K Flange...
							THR	Thread connection ≤ DN50

FLOW RANGE

Diameter (mm)	Flow Range (m³/h)
15	0.3-9
20	1.2-15
25	2.5-30
32	4.5-60
40	6-100
50	10-150
65	20-280
80	28-400
100	50-800
125	100-1500
150	150-2250
200	360-3600
250	400-4000
300	500-5000